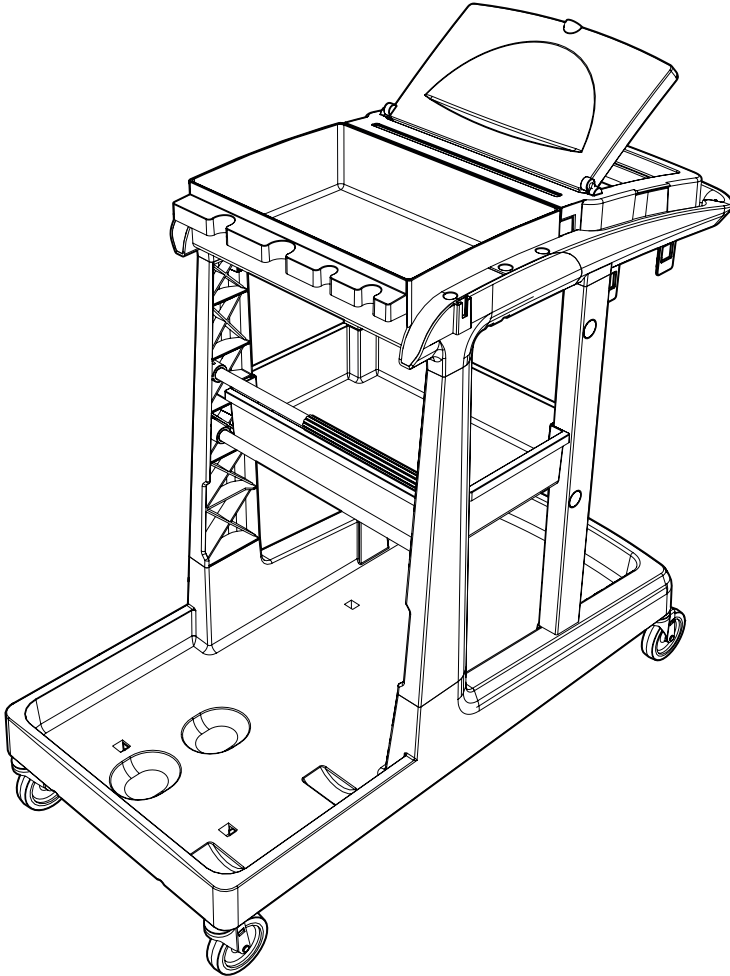


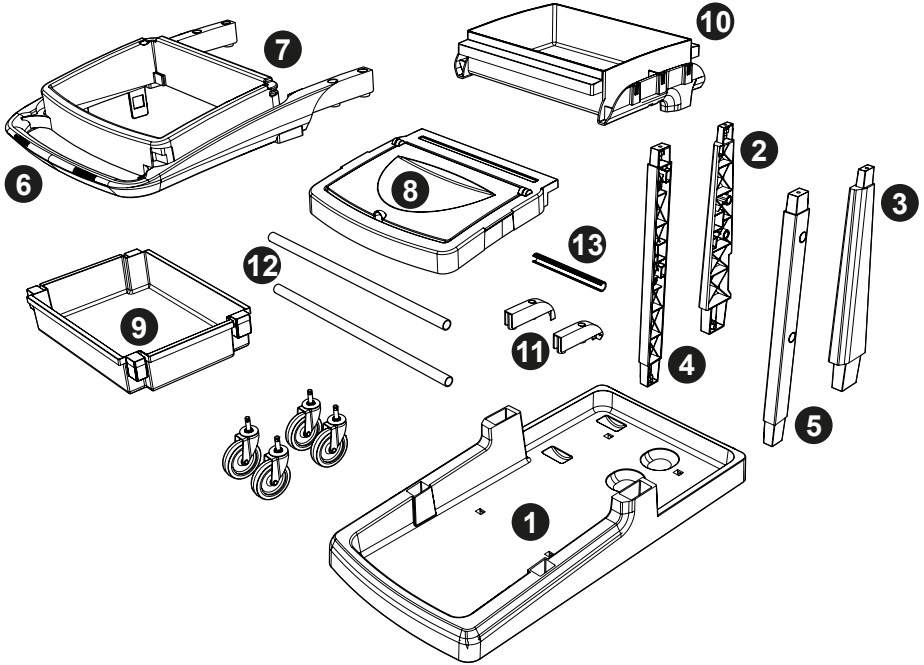
EcoMatic EM-3

Trolley Assembly



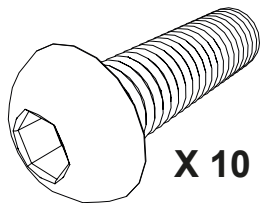


0.25 HR

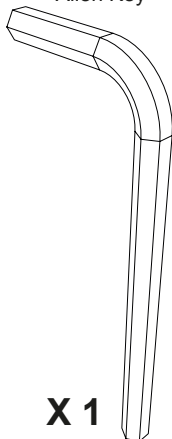


| Item | Description | Qty |
|------|--------------------------------|-----|
| 1 | Ecomatic long reflo base | 1 |
| 2 | Rear right hand reflo upright | 1 |
| 3 | Rear left hand reflo upright | 1 |
| 4 | Front right hand reflo upright | 1 |
| 5 | Front left hand reflo upright | 1 |
| 6 | Reflo bag frame | 1 |
| 7 | Reflo bag securing frame | 1 |
| 8 | Lid moulding | 1 |
| 9 | Reflo tray | 1 |
| 10 | Reflo top tray | 1 |
| 11 | Ecomatic cover moulding | 2 |
| 12 | Press support tube | 2 |
| 13 | Mop tube profile | 1 |

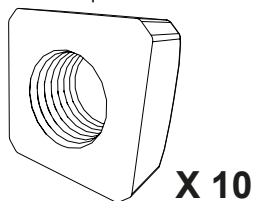
219555
M8 25mm Socket Bolt



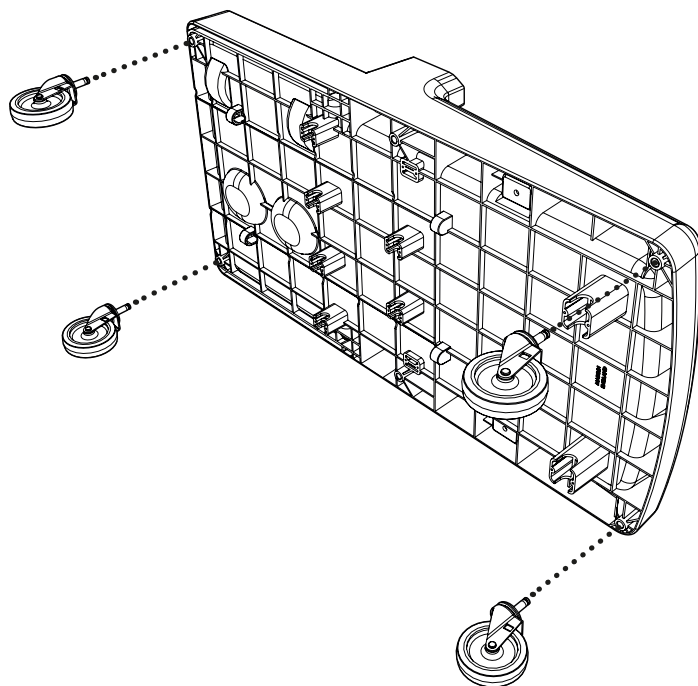
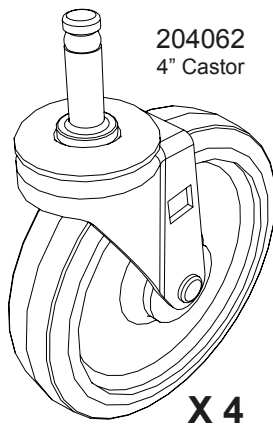
219554
Allen Key



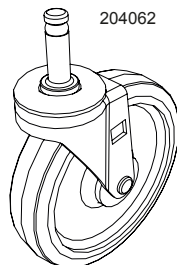
909372
M8 Square Nut



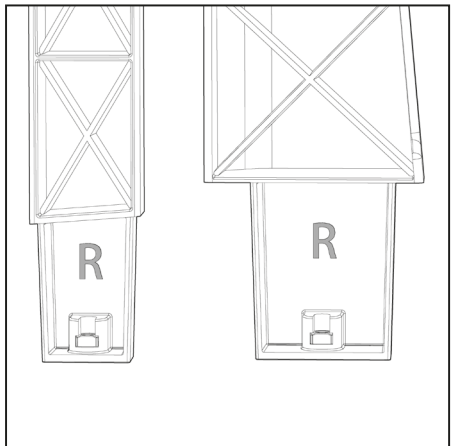
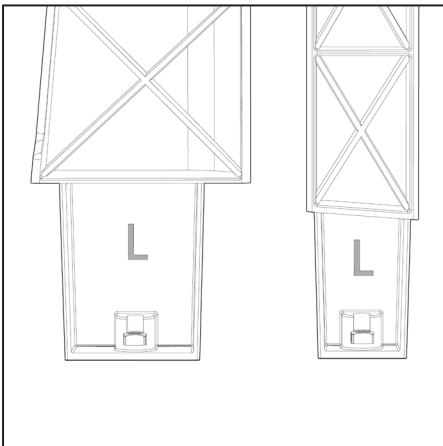
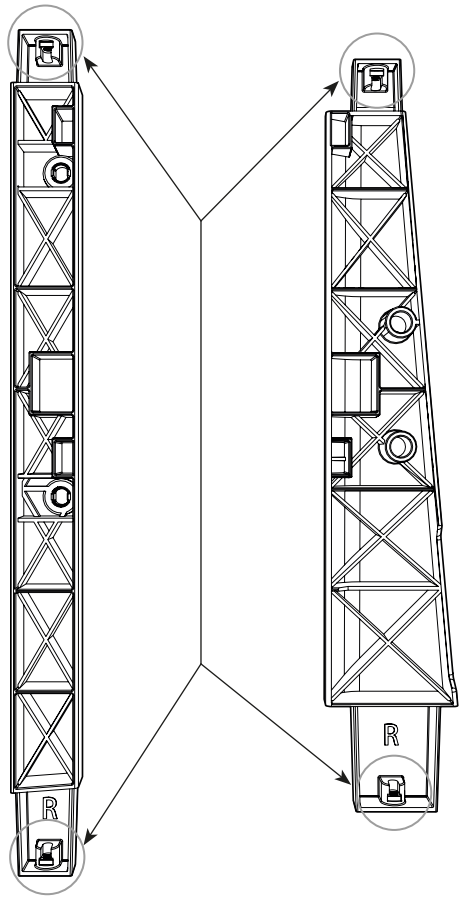
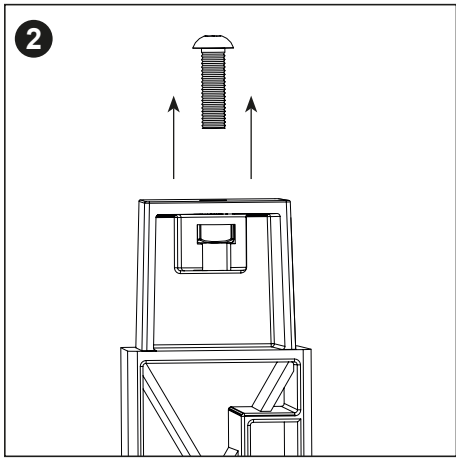
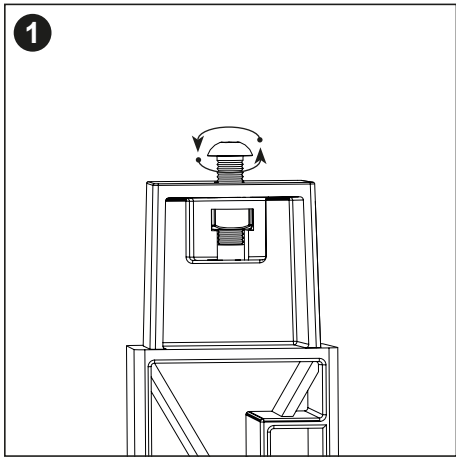
204062
4" Castor

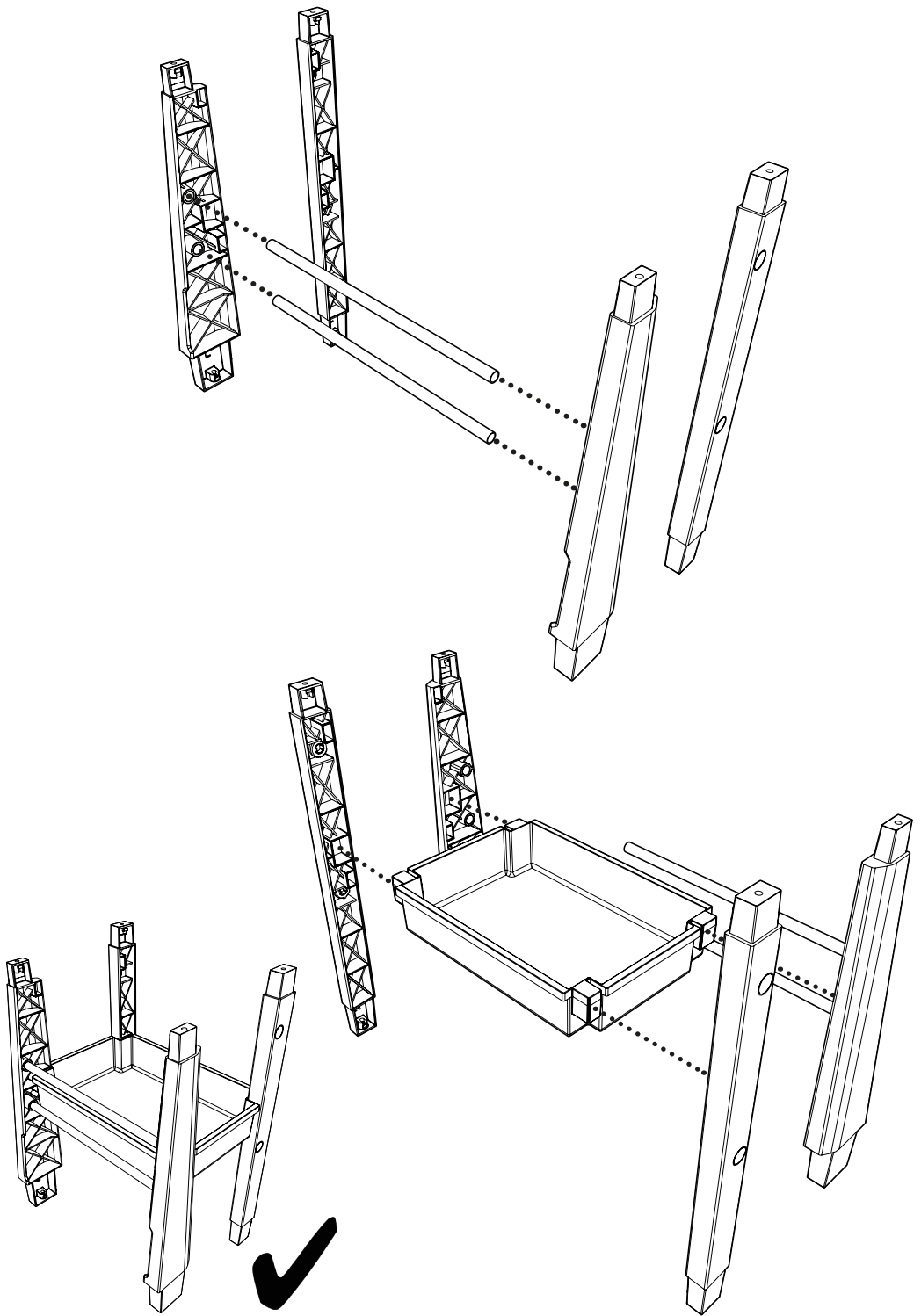


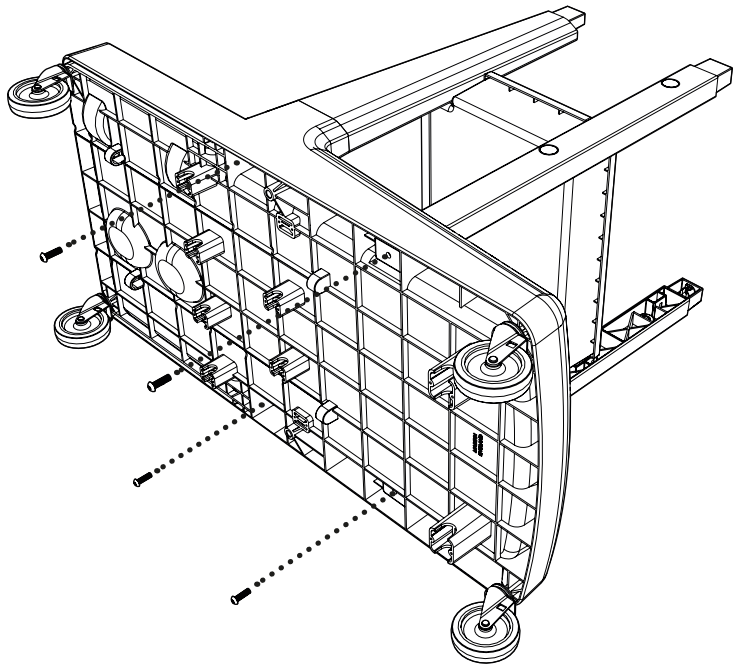
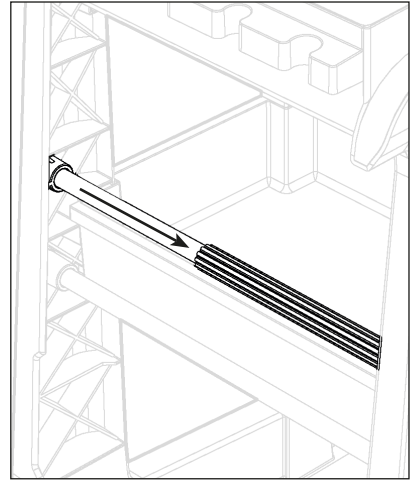
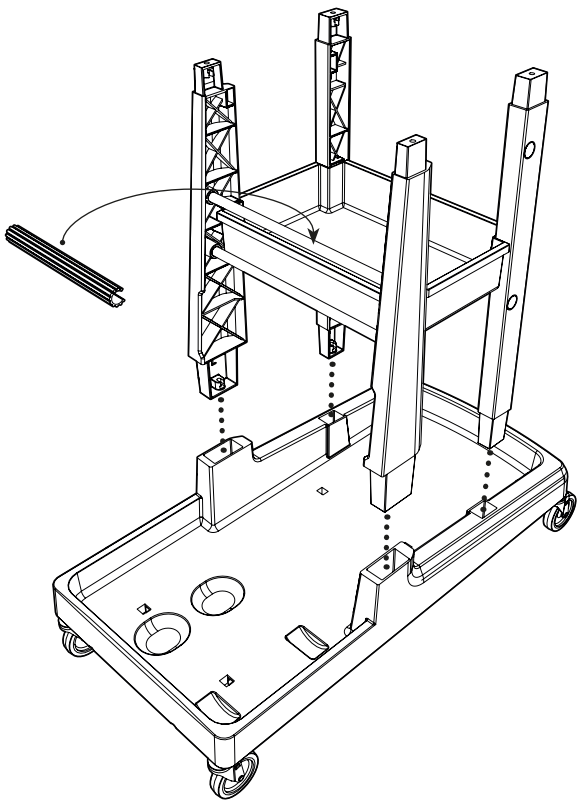
204062

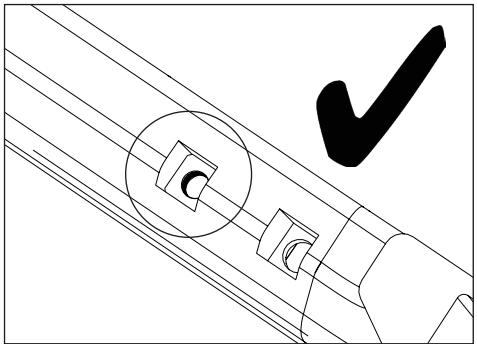
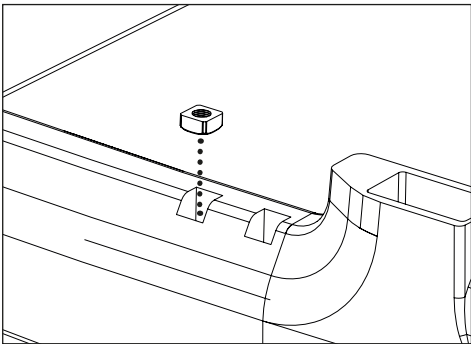
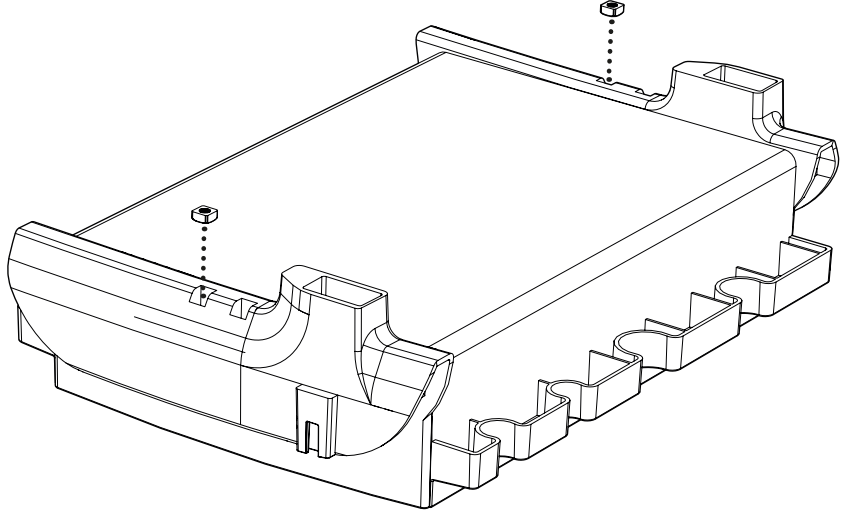
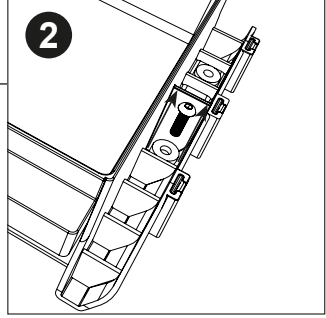
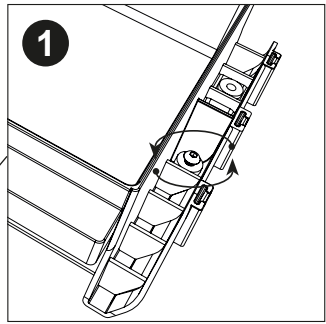
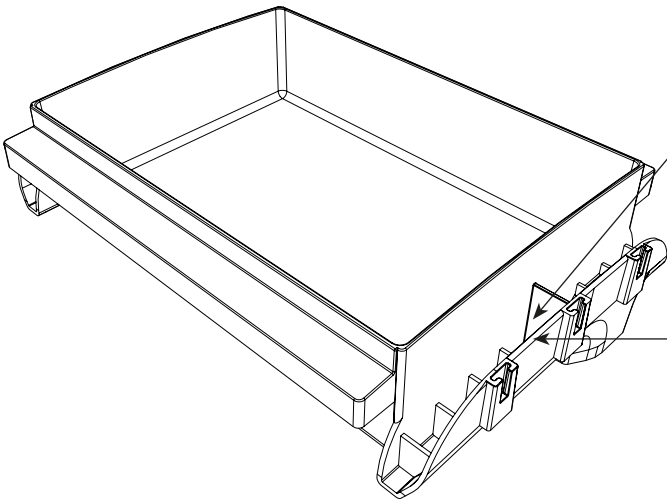


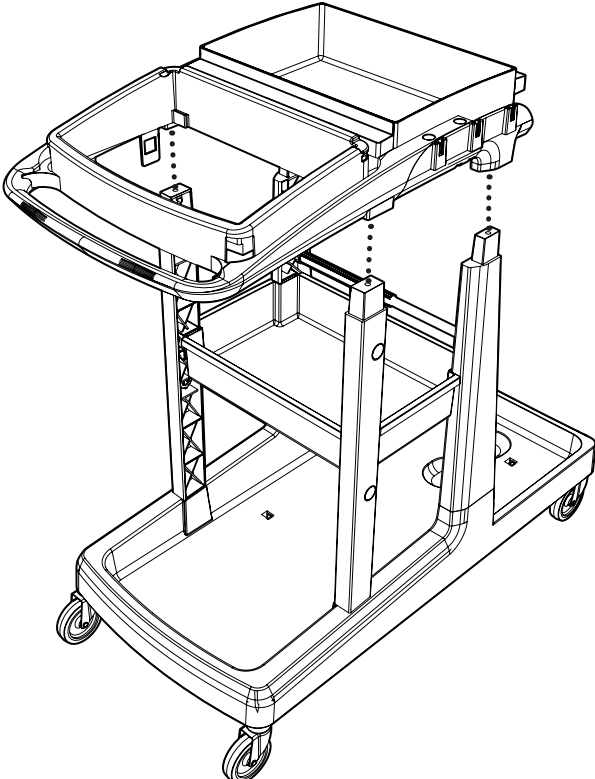
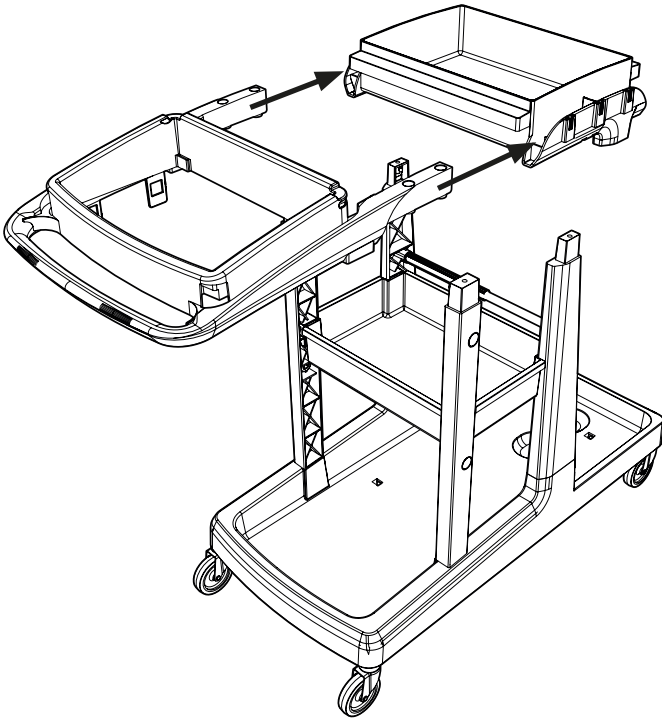
X 4

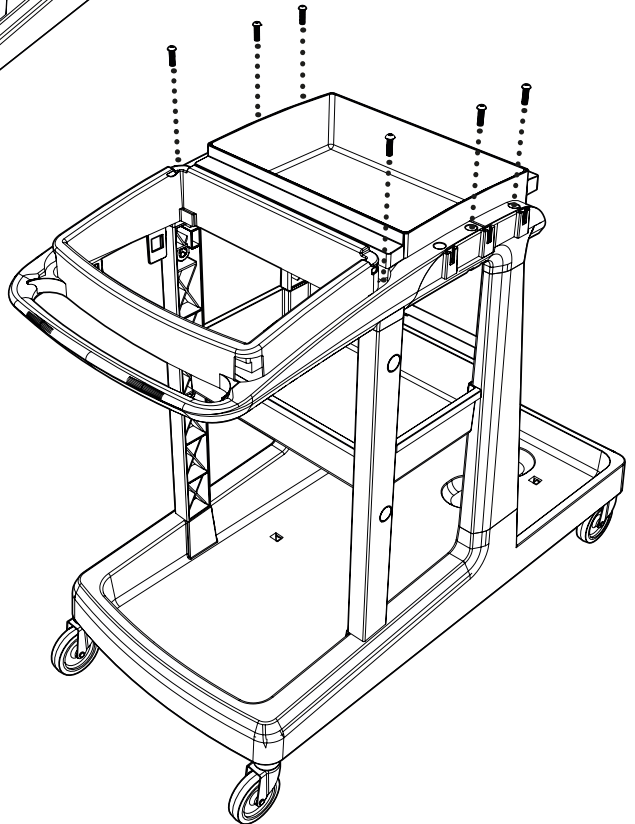
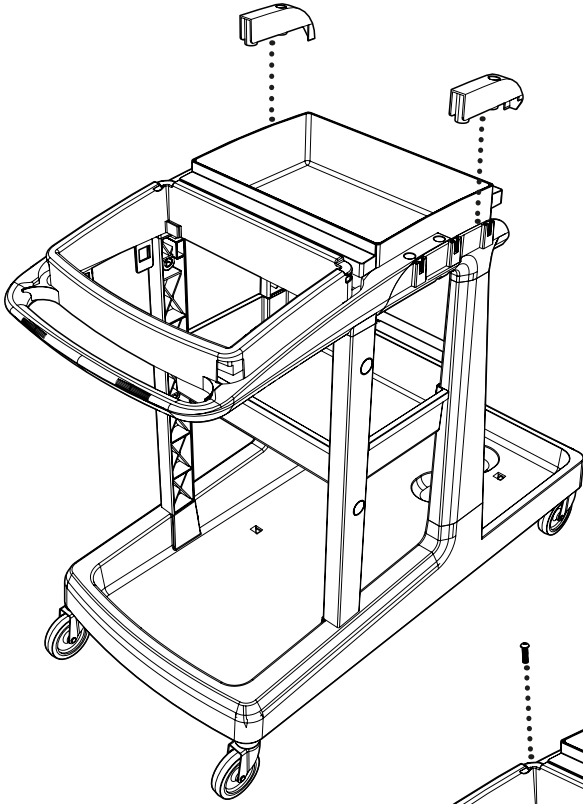


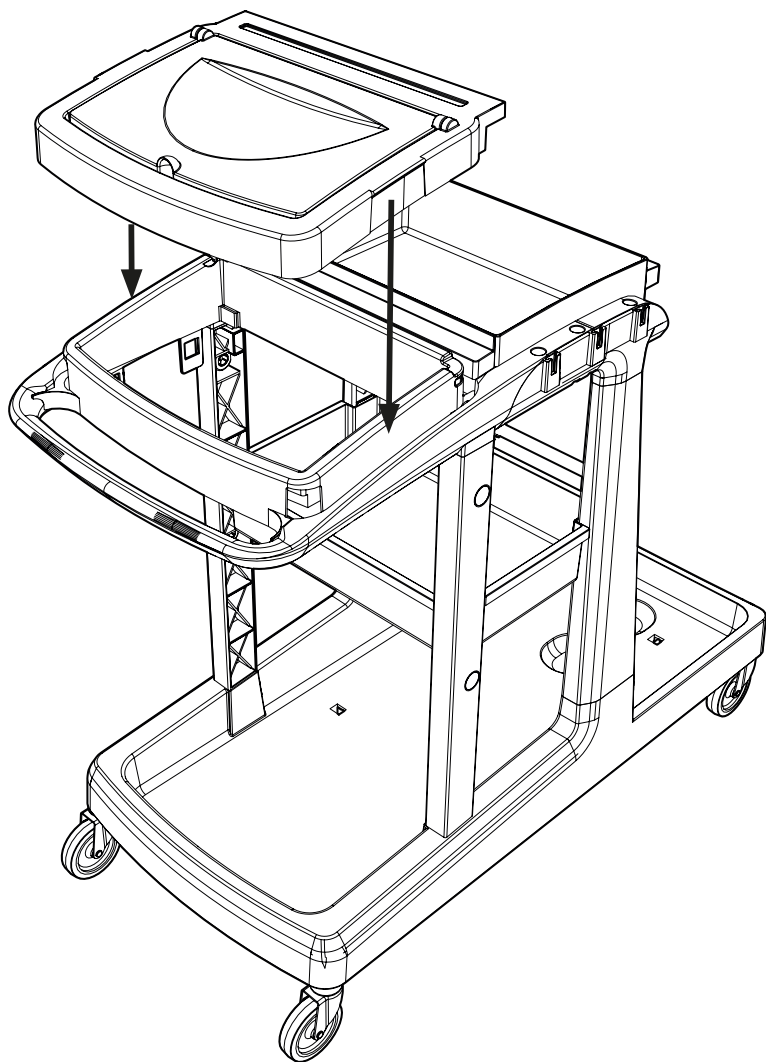












EcoMatic EM-3 Trolley Assembly

